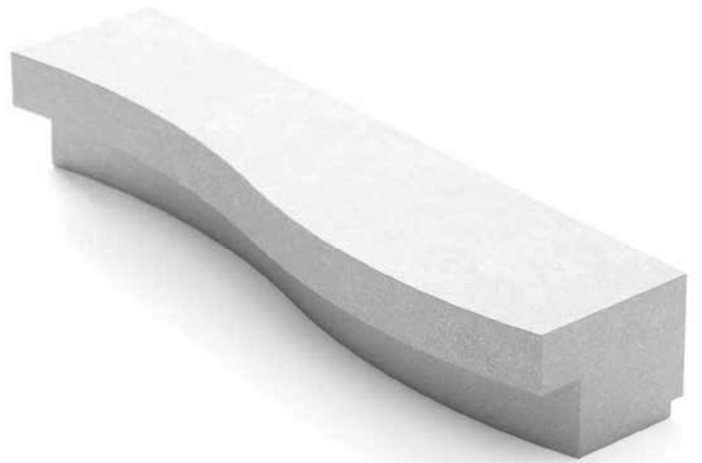


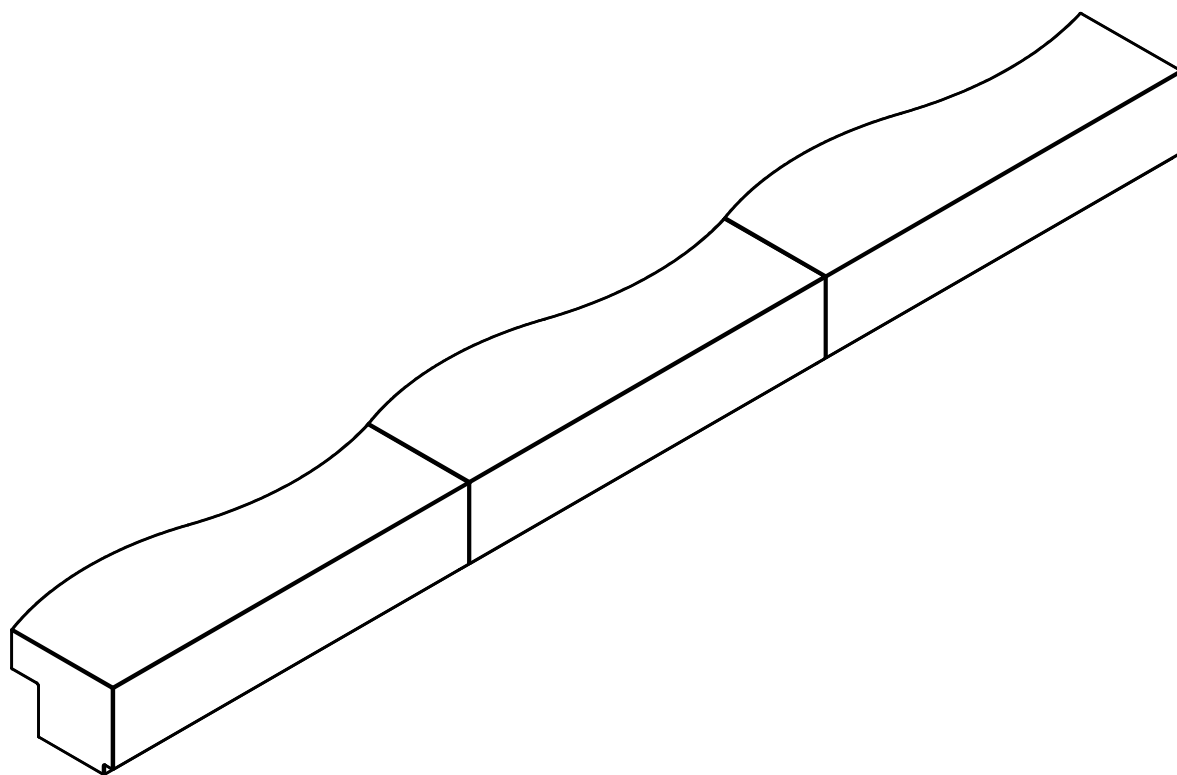
Vague Bench

DESIGNED BY —
STÉPHANE CHAPELET

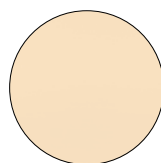
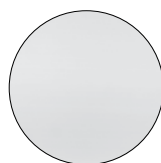
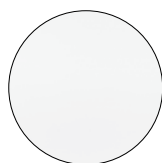


NEW





HPRC®



↑↓ 450 mm

↔ 660 mm

↔ 2500 mm

