

# Haute Couture

DESIGNED BY —  
STÉPHANE CHAPELET

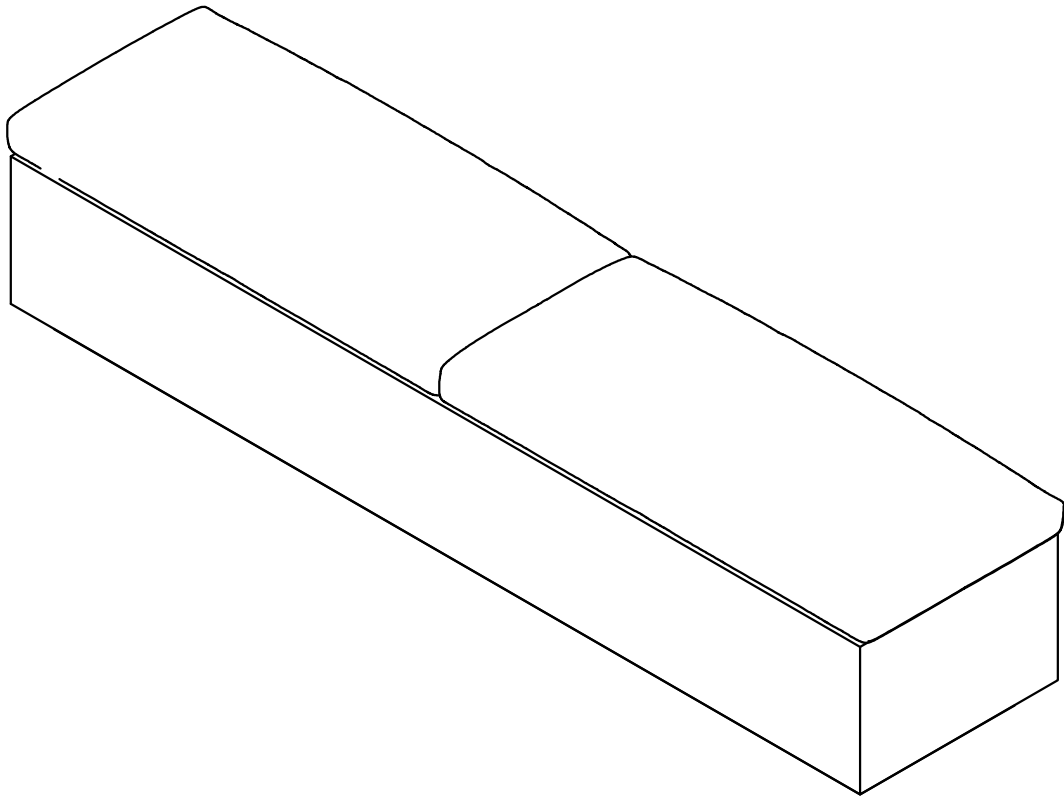


Leather texture  
made with HPRC®

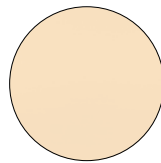
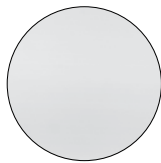
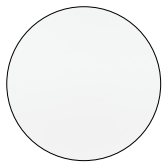


NEW





HPRC®



450 mm

410 / 430 mm

1950 mm

