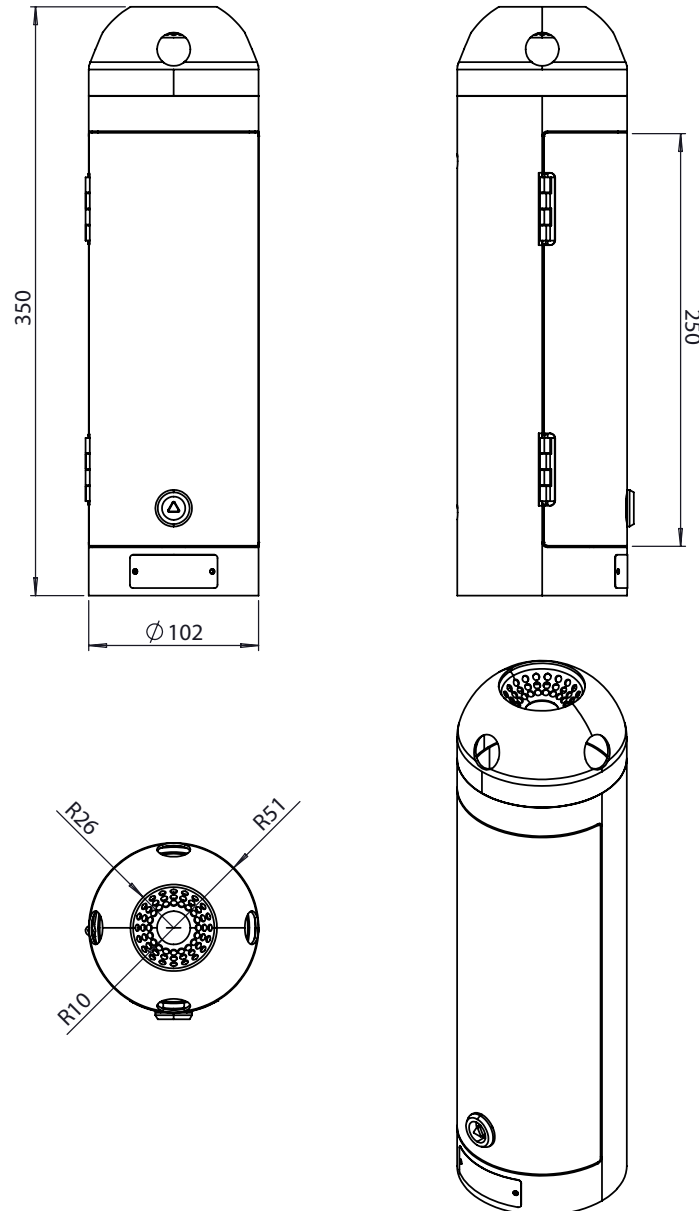




Max Dimensions:

Height: 350 mm | Diam. tube: 102 mm | Tank: Height: 210 mm
 Diameter: 92 mm | Weight : 2,5 kg | Capacity: 1,4 lt

**Description:**

The ashtray CIGAR S can be wall-mounted or pole-mounted. It is made in laser-cut tubular steel of 102x2 mm, H 300 mm. The upper part of h. 53 mm and 15/10 thickness is welded to the structure through continuous welding. It also has a hole of 50 mm diam on top, to which a pierced concave steel sheet, with a hole of 20 mm diam. is welded. From the tubular steel of 102 mm diam. a door with a hole 100x250 mm is created through laser-cut and fixed to it through 2 hinges. On the lower and middle part of the door a triangular key lock is placed. Inside the tubular steel a plate of 30/10 thickness is welded and serves as a support of the tank, made in galvanized steel of 10/10 thickness with 90 mm diam. and h. 220 mm. On the back of the ashtray there are 2 holes of 8,5 mm diam. with 211 mm interaxis for the fixing to the wall or to the pole with specific bolts (not provided). For the realization of this product, Steel EN10111DD11 is used and later treated with a cycle of sandblasting, cathaphoresis and powder coating. Such cycle is meant to guarantee the protection of the painted products, in an environment of C4 corrosion class, as requested by the UNI regulations EN ISO 12944-2. The products are eventually polyester-powder coated with RAL colours at choice.

The galvanized steel used is steel EN10346DX51D+Z and, unless otherwise stated, is not painted.