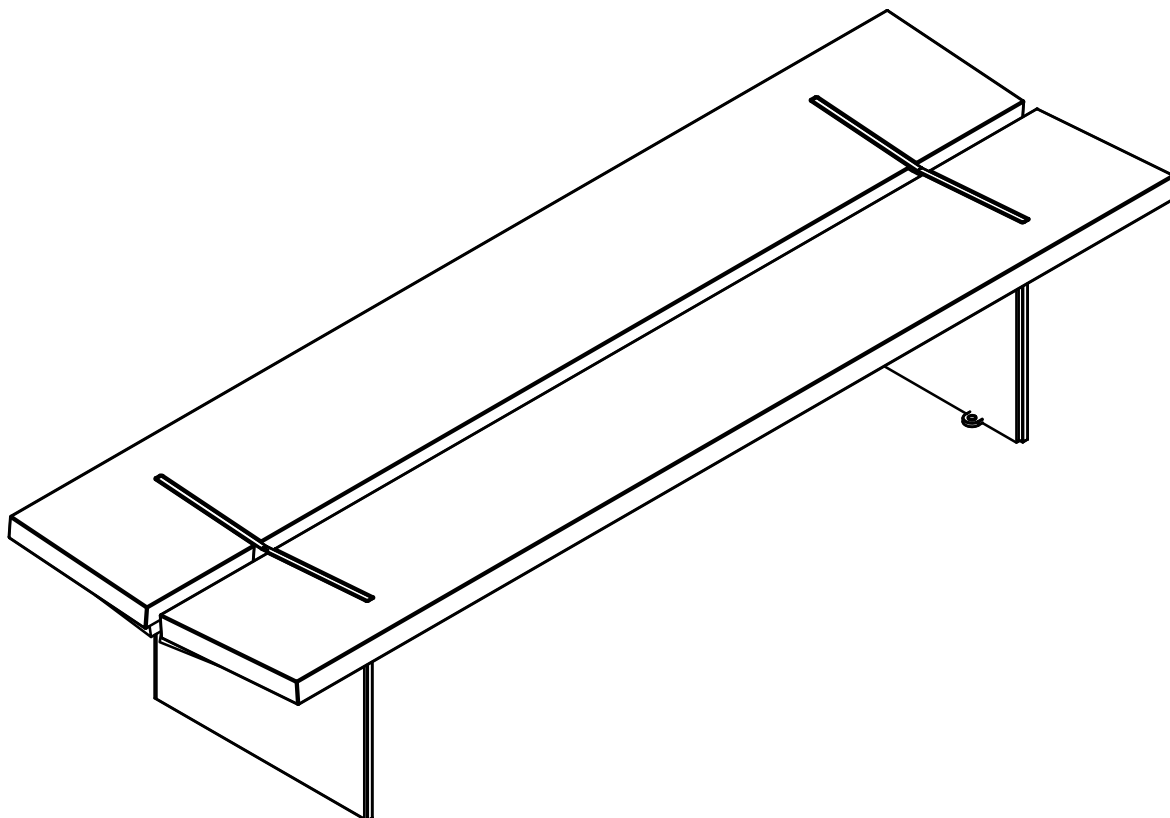


Wing bench

DESIGNED BY —
STÉPHANE CHAPELET



NEW



PAINTED STEEL



WOOD



↕ 444 mm
↔ 660 mm
↔ 2000 mm

