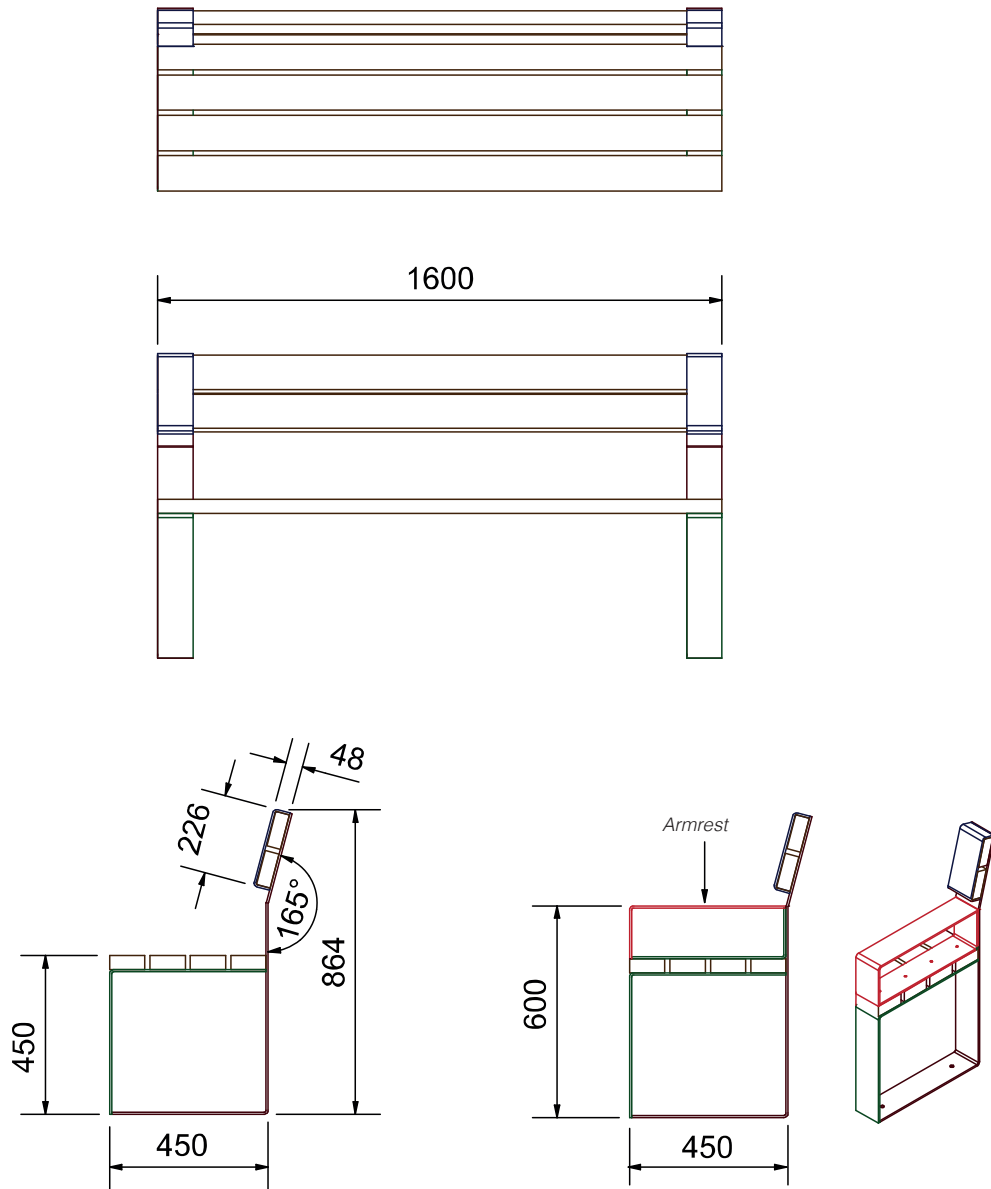




**Max Dimensions:**

Height with backrest: 864 mm | Height seat: 450 mm  
 Length: 1600 mm | Width: 450 mm

**Description:**

The "EIGHT" seating is made of sheet steel, thickness 80/10, then galvanised and polyester powder coated. The two legs are connected between them by a sturdy steel band, thickness 80/10 x 100 mm on the upper part. The seat and the backrest are made with 6 slats mm 100 x 40 x 1600/1800 in exotic wood trea-ted with natural waterproof oil. The legs are provided with 4 M8 holes for ground fixing with appropriate bolts (not supplied).

*Optional:*

"EIGHT" can be equipped with two sturdy armrests in thick 80/10 galvanised and polye-ster powder coated steel anchored to the seat with screws M8.