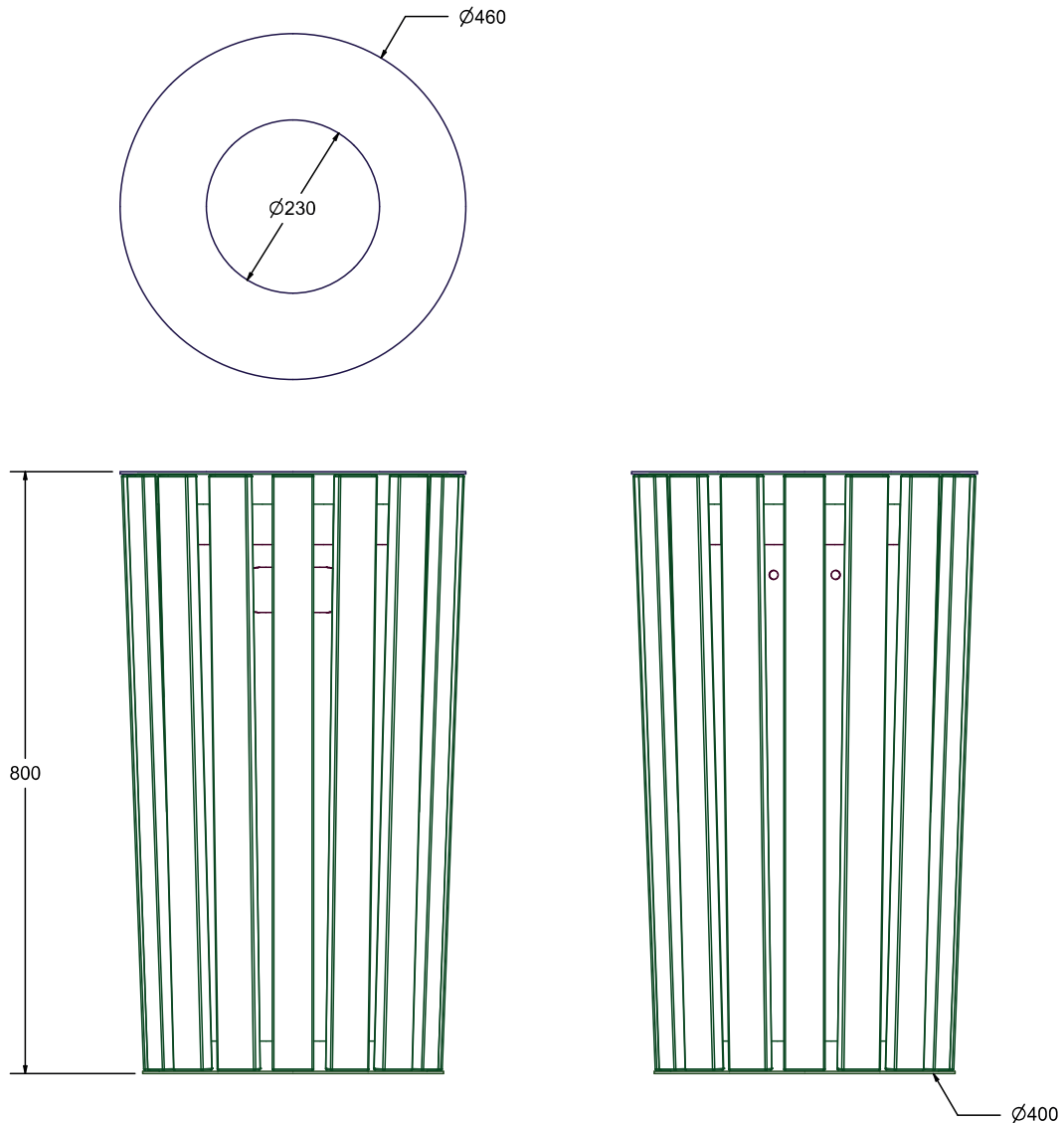




Max Dimensions:

Height: 800 mm | Top diameter: 460 mm | Bottom diameter: 400 mm | Capacity: 50 Lt

**DESCRIPTION**

This bin is made in wood and steel and is characterized by a clean design that suits any environment, parks or city centers. The upper part and the base of the bin are made in steel sheet of 30/10 thickness, with two rings of 20/10 thickness welded and pierced, on which the slats are fixed with specific bolts. The cover with the opening is made in steel sheet of 30/10 thickness. The bottom has 4 holes of 10 mm diam for the fixing to the ground through specific bolts (not provided). The inner container is made in galvanized steel of 10/10 thickness. On the upper part there are 2 oval holes serving as handles and 2 holes of 10 mm diam. for the insertion of the elastic band to keep the bag in place.

The wood used is either Iroko or Okume, treated with natural, water-repellent, UV ray resistant oils.

LAB23

WOOD BIN

Litter Bin

