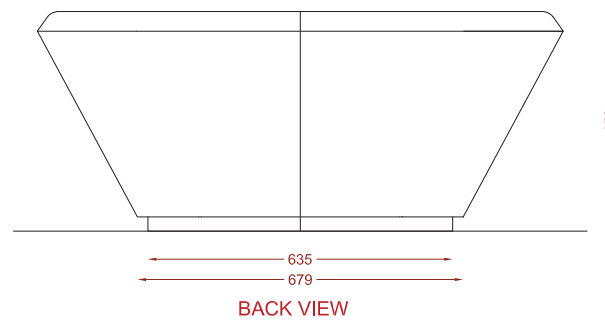
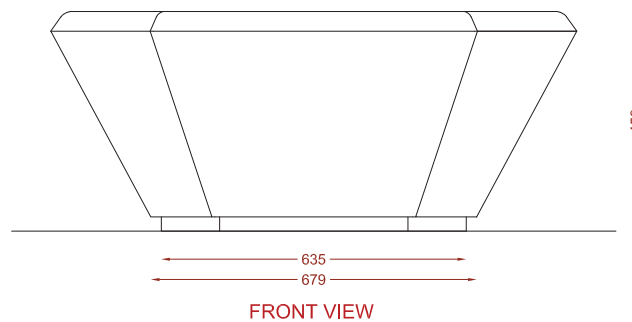
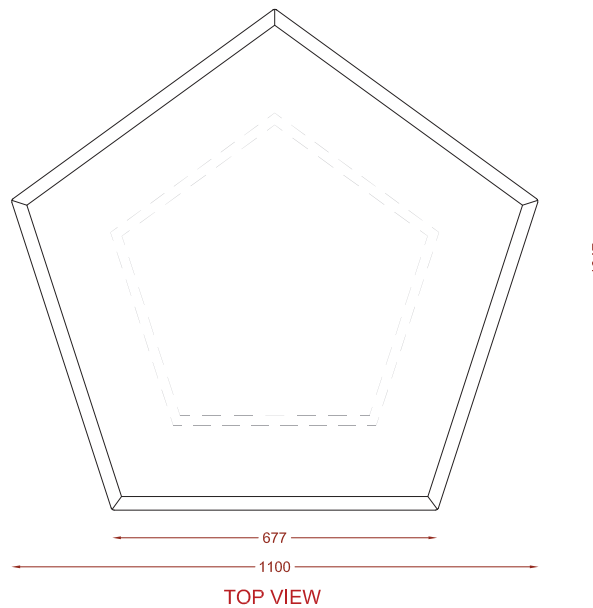




Max Dimensions:

Height: 458 mm | Length: 1047 mm | Width: 1100 mm

**HYPERCONCRETE**

TOP:
Mix of concrete, sand and resin, which is the result of two layers of this mix applied on the mould, characterized by a flat and homogeneous surface.