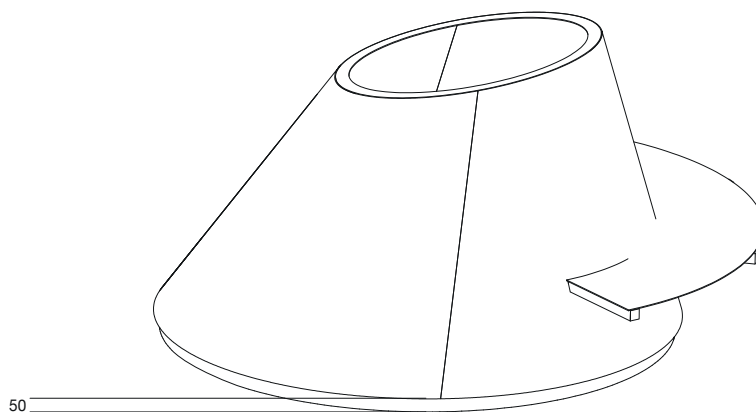
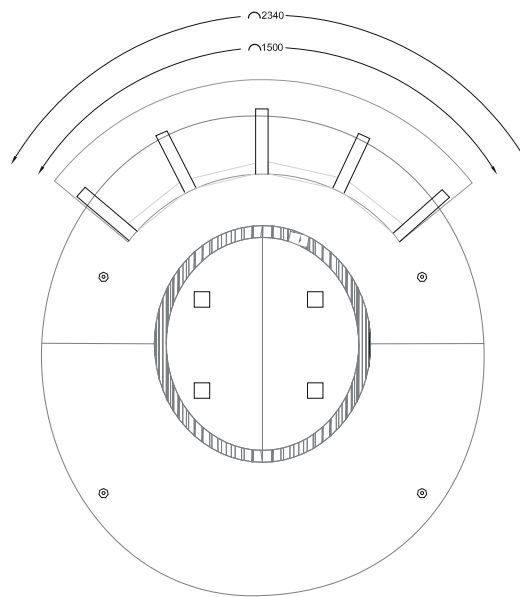
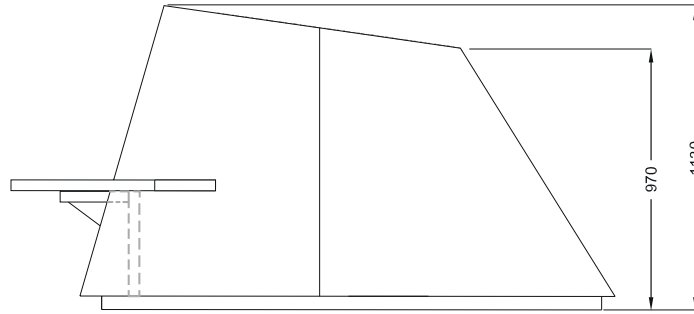




Max Dimensions:

Height: 1130 mm | Length: 1910 mm | Width: 1635 mm

**DESCRIPTION**

The Neck planter is made of steel EN10111DD1 30/10, later galvanized and polyester powder coated. On the upper part and all around a band, that represents the border, of 20 mm depth and 30/10 thickness is welded. On the bottom of the planter two drain pipes are welded, they're made of a tube in steel (section 16x16 h50 mm, 20/10 thickness). The planter is provided with adjustable feet to assure the right levelling. The seat is made of exotic Iroko wood, with wood bars with 40 mm thickness.

LAB23

NECK

Planter

