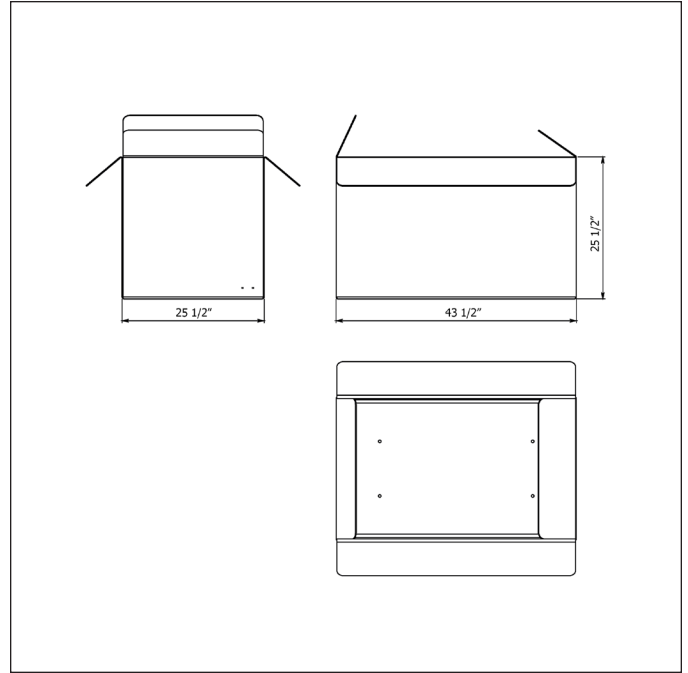


PLANTER BOX LARGE BY LAB23

OE-L23-1187



The Planter Box is a sheet steel planter formed into the shape of an opening cardboard box.

COLLECTION
Planter

MATERIALS

The Planter Box Large is made with galvanized and polyester powder coated steel. The base has 2 overflow holes made of tubular steel. There are four M10 holes for surface mounting through appropriate bolts.



INSTALLATION

MAINTENANCE

ASSEMBLY: It is important to check fasteners at a minimum once per year. This includes any screws, bolts and nuts.

METAL FINISHES: Outdoor use will require periodic finish inspection and maintenance. Inspect periodically for damage that has removed painted surfaces. Clean metal surfaces with a soft cloth or soft brush with a mild detergent. Do not use high pressure washers, steam cleaning, abrasive cleansers, or steel brushes. Touch up small damaged areas with an appropriate outdoor paint. Painted finishes require periodic inspection for scratches or dents that may chip paint away. For repair, remove any loose paint and lightly sand the area. Apply a coat of a rust sealant and reapply a matching paint.

WOOD FINISHES: Exterior woods require no maintenance. To clean the wood, use with a soft cloth or soft brush with a mild detergent. Do not use high pressure washers, steam cleaning, abrasive cleansers, or steel brushes.

Stains in wood may be removed by:

1. Removing dust and cleaning the wood, using a mild detergent.
2. Sand the surface with 180 grit sandpaper
3. Apply a coat of impregnating varnish, intended to preserve the color and enhance the natural beauty of wood. It is possible to apply by spray, roller or brush. A minimum of two coats is recommended (with a gap of at least 8 hours and at a temperature of 60 ° F).
4. Allow to dry.

Reoiling Wood: Outdoor woods may be reoiled or impregnated to preserve or enhance the color of the wood. To do so:

1. Remove dust and clean the slats.
2. Apply a single coat of impregnating varnish or oil, intended to preserve the color and enhance the natural beauty of wood.
3. Allow to dry.