

LAB23

MAX DIMENSIONS

"BOX":

Height: 650 mm

Length: 650 mm

Width: 650 mm

PLANTER

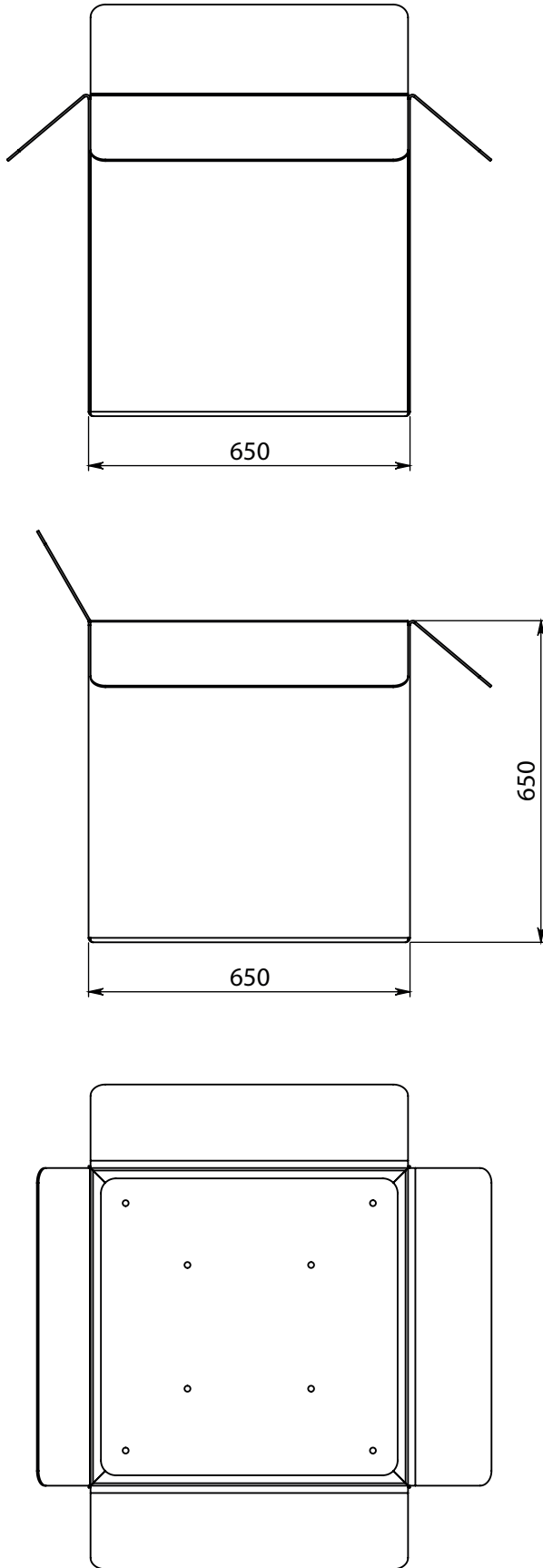
Planter box



www.lab23.it
info@lab23.it
Tel +39 041 54 09 697

PLANTER

Planter box



The BOX planter is in galvanised and polyester powder coated steel (or Corten treated with an oxidation cycle), thickness 40/10. On the bottom part there are 2 overflow holes made of steel tubulars

EN10111DD11, section 16X2 mm, H 50 mm. There are four M10 holes for ground fixing through appropriate bolts. The BOX planter is available in two dimensions: "BOX" and "BIG BOX".