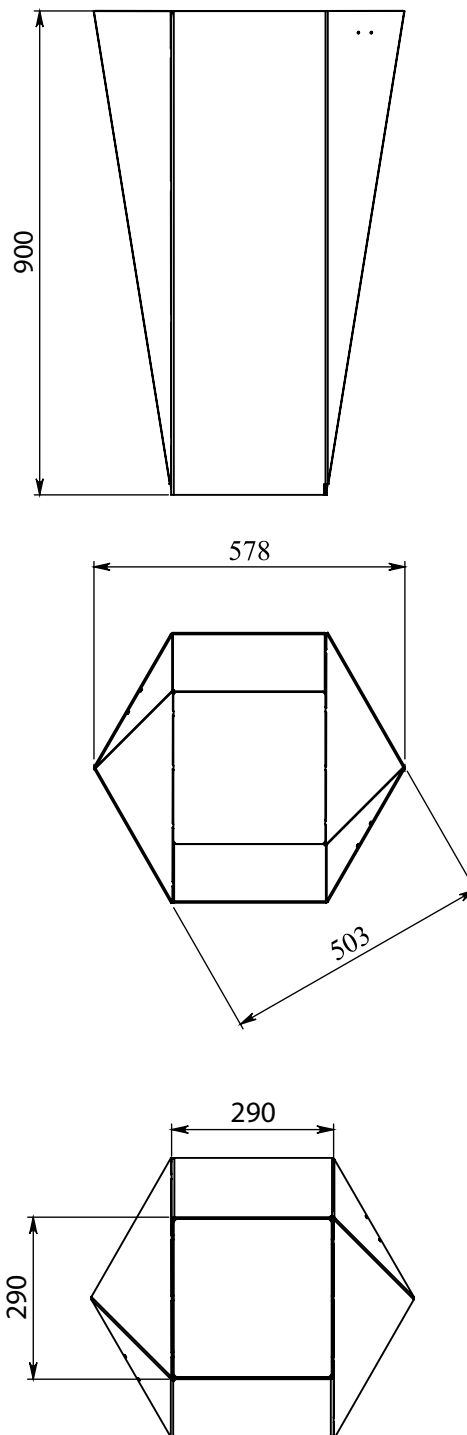




Max Dimensions:

Height: 900 mm | Length: 578 mm | Width: 503 mm | Base: 290x290 mm | Capacity: 120 lt | Weight: 33 kg

**Description:**

The TALL planter FIVE is made in steel. The planter is made of 3 main elements: 2 specular elements with 3 folds each, welded together through continuous welding, later polished so that it's seamless; and the bottom, welded through continuous welding as well. On the bottom of the planter 2 drain pipes, made in tubular steel, section 16X2 mm, H 50 mm, are welded. Besides there are 4 holes M10 for the fixing to the ground through specific bolts. For the realization of this product, Steel EN10111DD11 is used and later treated with a cycle of sandblasting, cataphoresis and powder coating. Such cycle is meant to guarantee the protection of the painted products, in an environment of C4 corrosion class, as requested by the UNI regulations EN ISO 12944-2. The products are eventually polyester-powder coated with RAL colours at choice.

As an alternative to steel EN10111DD11, the production in corten is also available, on demand. In this case the material is treated with a specific oxidation process.