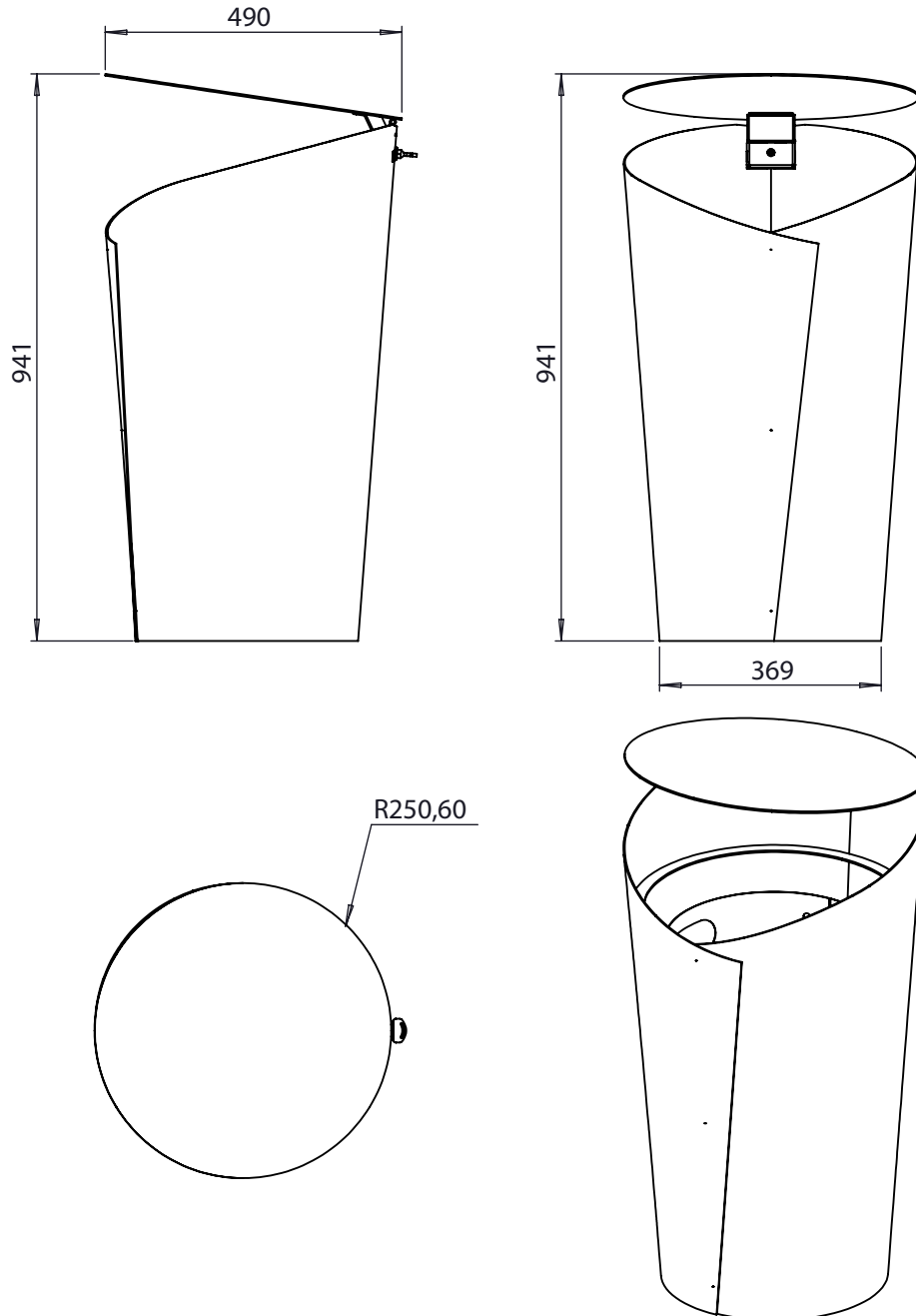




Max Dimensions:

Height: 941 mm + base | Longueur: 490 mm | Length: 492 mm | Base diameter: 369 mm

Capacity: 45 Lt | Weight: 30 Kg

**Description:**

The outer part of the AVO bin is made in steel of 20/10 thickness, the inner container is made in galvanized steel of 8/10 thickness, polyester-powder coated. On the upper part there are 2 oval holes serving as handles and 2 holes of 10 mm diam. for the insertion of the elastic band. The cover of the AVO bin is made in steel of 30/10 thickness. It is fixed to the structure of the bin through a strong hinge, with a triangular key lock placed on the back of the structure. The bin can be fixed to the ground through 4 holes of 10 mm diam, placed on the bottom, and specific bolts (not provided). On demand, a base in concrete is available. For the realization of this product, Steel EN10111DD11 is used and later treated with a cycle of sandblasting, cataphoresis and powder coating. Such cycle is meant to guarantee the protection of the painted products, in an environment of C4 corrosion class, as requested by the UNI regulations EN ISO 12944-2. The products are eventually polyester-powder coated with RAL colours at choice.

The galvanized steel used is steel EN10346DX51D+Z and, unless otherwise stated, is not painted.