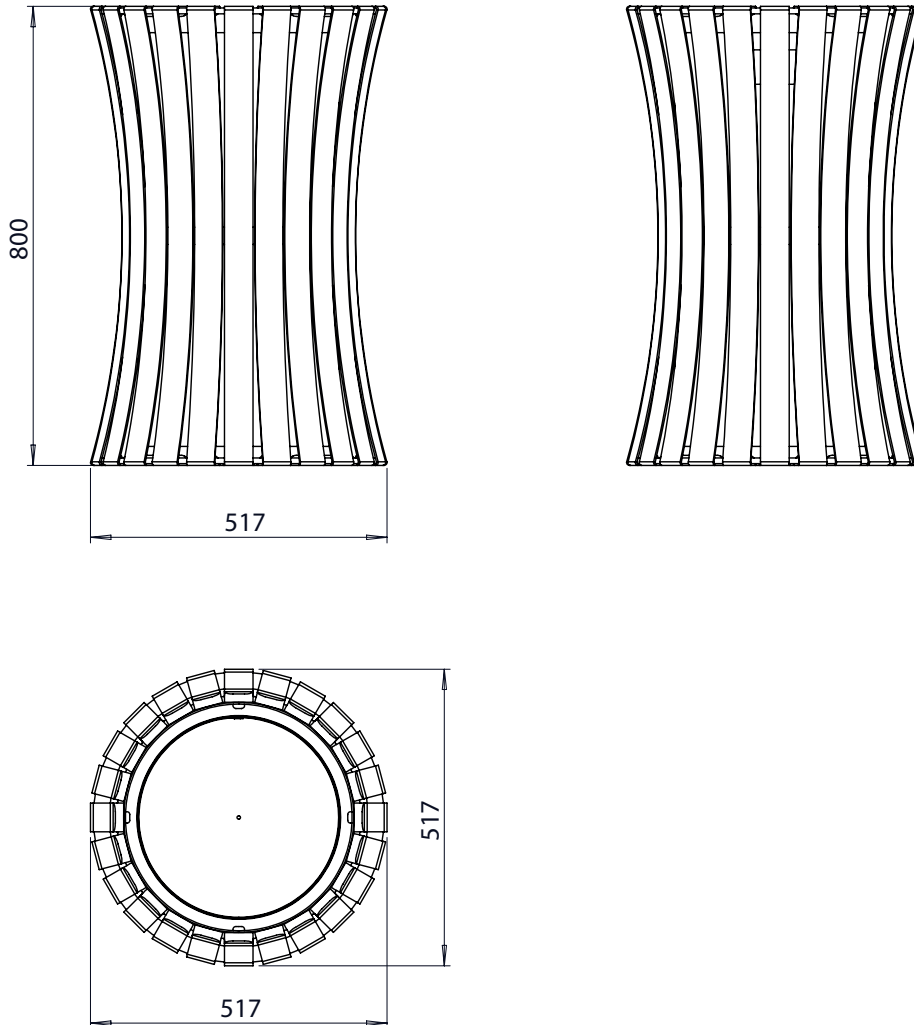


**Max Dimensions:**

Height: 800 mm | Diameter: 517 mm | Inner container diameter: 350 mm  
Capacity: 60 Lt | Weight: 42 Kg

**Description:**

The LIBERTY bin is made of 24 bands in steel with section 50x3mm and calendered on the central part with radius 1450 mm and folds in the extremities. They are welded on 2 strong rings, resulting from a laser-cut steel sheet of 100/10. The welding of the bands involves the extremities, calendered inwards. At 385 mm in height a support band with section 30x3 mm is welded. A base in steel sheet of 30/10 thickness is welded to the base of the bin. It has a central hole of 300 mm diam. and 4 loops M10 for the fixing to the ground through specific bolts (not provided). Inside the bin, there is a container made in galvanized steel of 10/10 thickness. The inner container has 2 oval holes, on the upper part, serving as handles and 2 holes of 10 mm diam. for the insertion of the elastic band.

For the realization of this product, Steel EN10111DD11 is used and later treated with a cycle of sandblasting, cathoresis and powder coating. Such cycle is meant to guarantee the protection of the painted products, in an environment of C4 corrosion class, as requested by the UNI regulations EN ISO 12944-2. The products are eventually polyester-powder coated with RAL colours at choice. The galvanized steel used is steel EN10346DX51D+Z and, unless otherwise stated, is not painted.