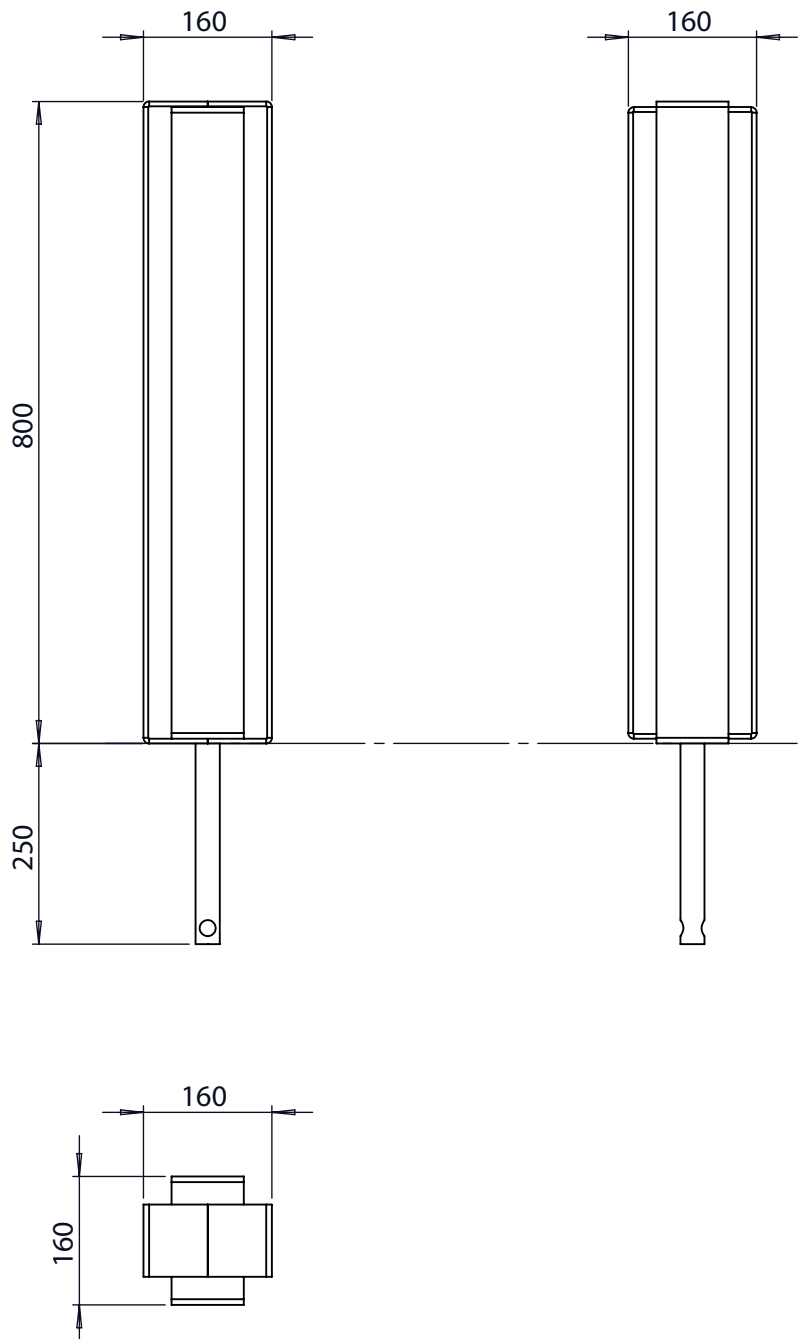




Max Dimensions:

Height: 800 | Length: 160 mm | Width: 160 mm

Weight: 16,5 kg

**Description:**

The EIGHT bollard is made in steel of 60/10 thickness. The bollard is the result of the continuous welding of 4 elements in steel sheet, bent on the extremities, and an underground extension of 250 mm long to be cemented. For the realization of this product, Steel EN10111DD11 is used and later treated with a cycle of sandblasting, cataphoresis and powder coating. Such cycle is meant to guarantee the protection of the painted products, in an environment of C4 corrosion class, as requested by the UNI regulations EN ISO 12944-2. The products are eventually polyester-powder coated with RAL colours at choice.