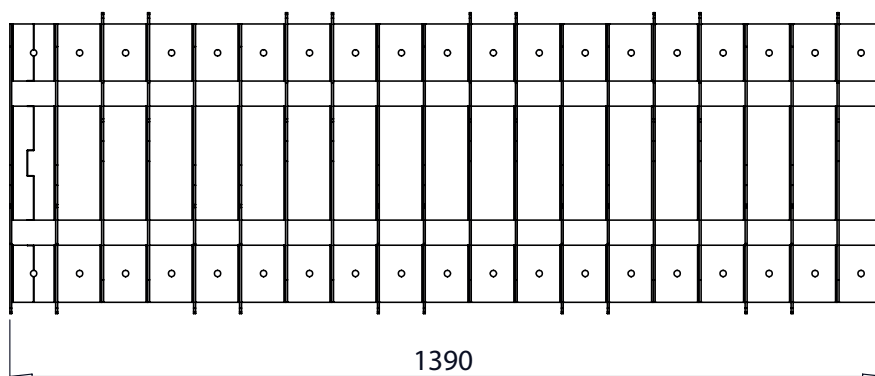
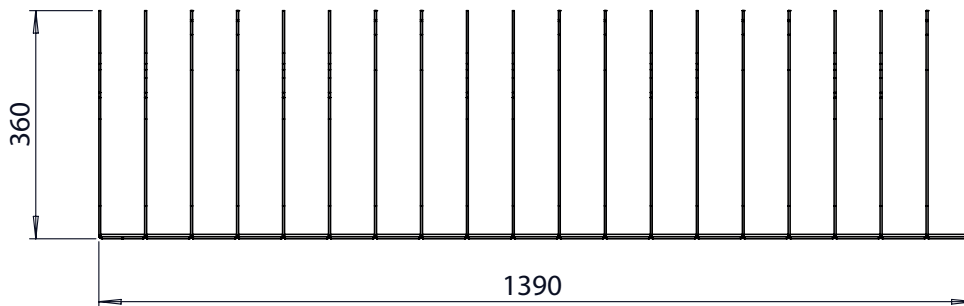
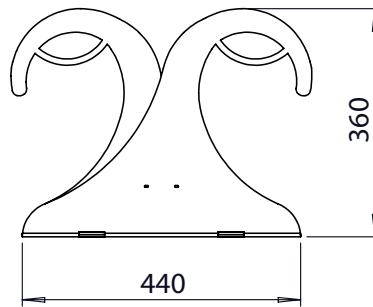




**Max Dimensions:**

Height: 360 mm | Length: 1390 mm | Width: 440 mm

Wheels number: 10 | Weight: 48 kg

**Description**

The bike rack Wave (10 bikes, alternate version) is made in steel 30/10 thickness. The spacers, where the wheels of the bikes are placed, are laser-cut, wave-shaped and come with a hole to hook the bike. WAVE can be fixed to the ground through specific bolts (not provided) and holes of 10 mm diam.

For the realization of this product, Steel EN10111DD11 is used and later treated with a cycle of sandblasting, cataphoresis and powder coating. Such cycle is meant to guarantee the protection of the painted products, in an environment of C4 corrosion class, as requested by the UNI regulations EN ISO 12944-2.

The products are eventually polyester-powder coated with RAL colours at choice.