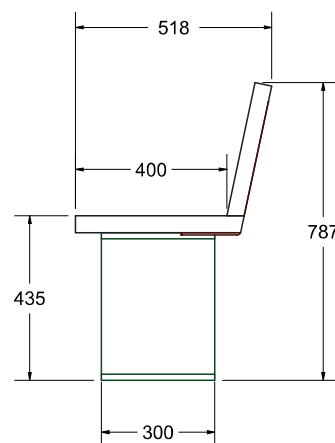
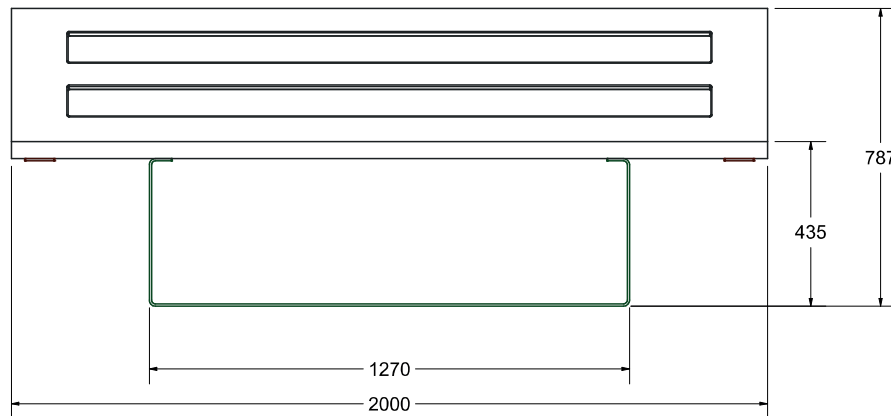
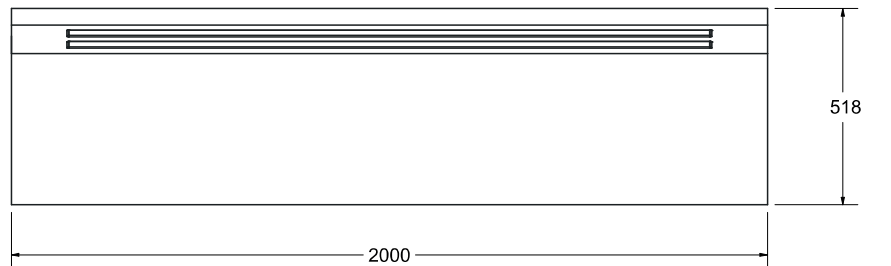




Max Dimensions:

Height: 787 mm | Height of the seat: 787 mm | Length: 2000 mm | Width: 518 mm
Base: 1270 x 300 x h 395 mm | Weight of steel: 34 Kg

**Description:**

The load-bearing structure of the bench STRETCH is made in steel (60/10 thickness). The upper part of the bench and the backrest are made in exotic hardwood of 45 mm thickness. The backrest is cut with a three-dimensional pantograph C.N.C., which gives you 2 shapes of 1700x80 mm. The seat in wood is fixed to the load-bearing structure through M6 screws. To make the wooden backrest even stronger, 2 solid elements in steel (60/10 thickness) have been fixed on the back. The base of the metal structure has 4 holes (12 mm diam.) to be fixed to the ground through specific bolts (not provided). Steel EN10111DD11 is used for the realization of this product and all the elements in this material, after all the different stages (cutting, bending, welding), are treated with electrogalvanizing according to the UNI regulations and are later polyester powder-coated with RAL colours at choice. The wood used is either Iroko or Okume, treated with natural, water-repellent, UV ray resistant oils.