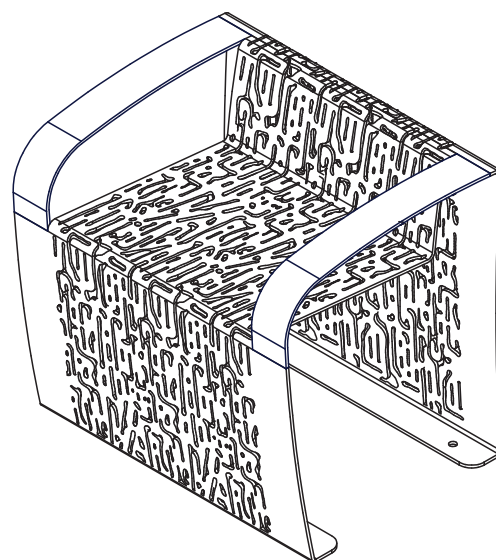
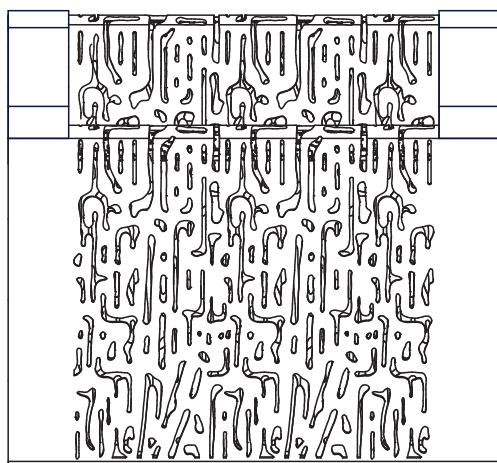
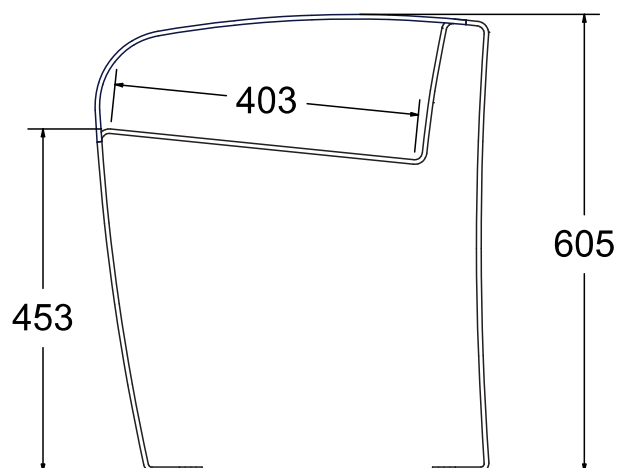
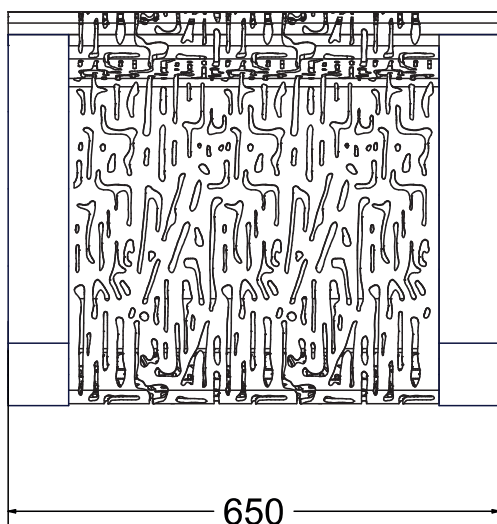




**Max Dimensions:**

Height: 605 mm | Height seat: 453 mm | Length: 650 mm  
Width : 403 mm

**Description:**

The seat SILLON is made of steel EN10111DD1, thickness. 60/10, (or Corten treated with a specific oxidation cycle). The seat and the backrest are made of two steel sheet plates, welded together and then polished in order to make the welding smooth. This item is characterised by a particular "texture" called "New York", which is laser cut shaped. The ground fixing takes place through specific bolts (not provided), and in the extremities of the seat 90° folds are created to serve as supports, 65 mm deep, each with 2 holes D. 15 mm.