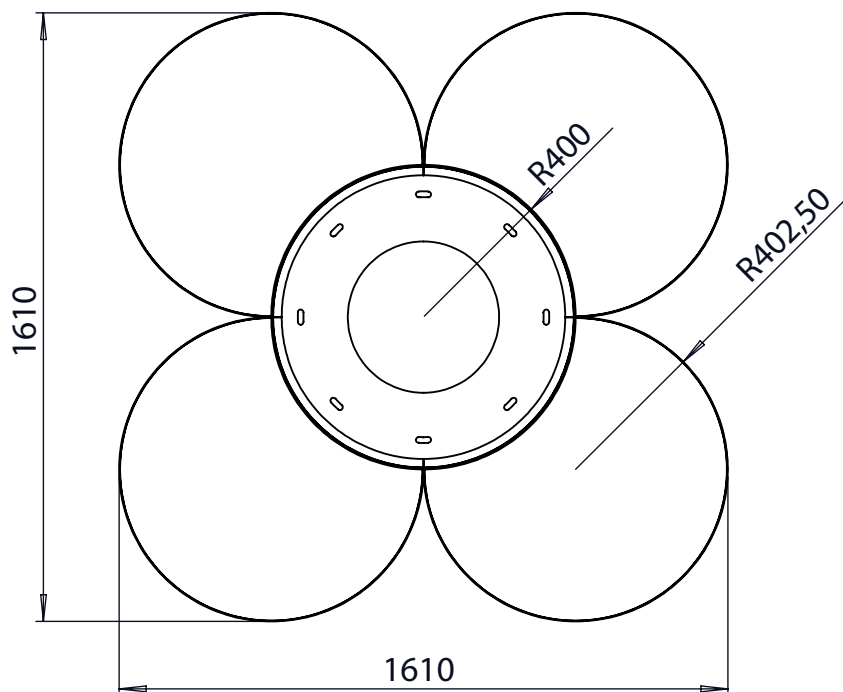
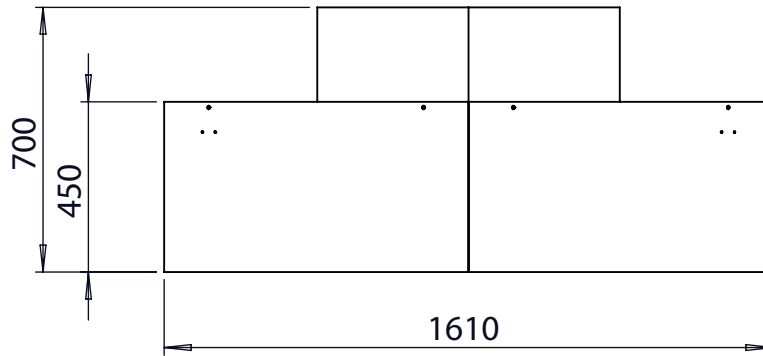




Max Dimensions:

Height: 700 mm | Width: 1610 mm | Length: 1610 mm

Height of the seat: 450 mm

**DESCRIPTION**

The structure of the bench-planter D PLANTER is made in steel 20/10, on which support elements 40/10 thickness are welded. D PLANTER has a main planter of 800 mm diam., H. 700 mm and 4 semicircular seats, placed at 90° to the main planter, and fixed to it through screws M6. The 4 seats are covered with panels in exotic wood 30 mm thickness.

The wooden seats are fixed to the structure with specific countersunk screws. On the base of each semicircular seat, a laser-cut plate 40/10 thickness, with 4 holes 12 mm diam. for the fixing to the ground through specific bolts (not provided), is internally welded.

For the realization of this product, Steel EN10111DD11 is used and later treated with a cycle of sandblasting, cataphoresis and powder coating. Such cycle is meant to guarantee the protection of the painted products, in an environment of C4 corrosion class, as requested by the UNI regulations EN ISO 12944-2. The products are eventually polyester-powder coated with RAL colours at choice.

As an alternative to steel EN10111DD11, the production in corten is also available, on demand. In this case the material is treated with a specific oxidation process.

The wood used is either Iroko or Okume, treated with natural, water-repellent, UV ray resistant oils.

THE PLANTER COMES WITH NO BOTTOM TRAY