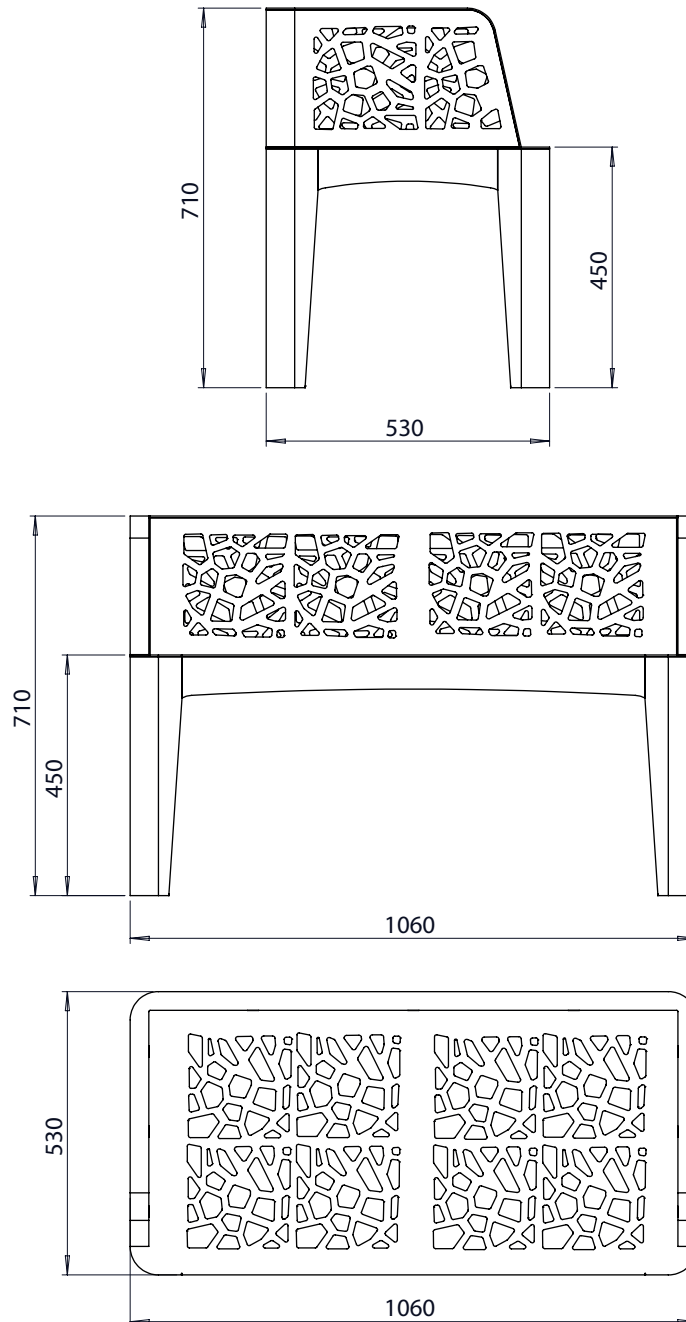




Max Dimensions:

Height tot.: 710 mm | Length: 1060 mm | Depth: 530 mm

Height of the seat: 450 mm | Weight: 38,7 Kg

**DESCRIPTION**

The bench CORAL BENCH is made in steel 30/10 thickness. All the metal parts characterized by a coral-like texture are joined together through a continuous welding. All the angles of the bench are rounded for the safety of the user. On the lower part of the legs of the bench, an ellipsis-shaped plate (30/10 thick), with a hole of 11 mm diam. for the fixing to the ground through bolts (not provided), is welded. For the realization of this product, Steel EN10111DD11 is used and later treated with a cycle of sandblasting, cataphoresis and powder coating. Such cycle is meant to guarantee the protection of the painted products, in an environment of C4 corrosion class, as requested by the UNI regulations EN ISO 12944-2.

The products are eventually polyester-powder coated with RAL colours at choice.

As an alternative to steel EN10111DD11, the production in corten is also available, on demand. In this case the material is treated with a specific oxidation process.