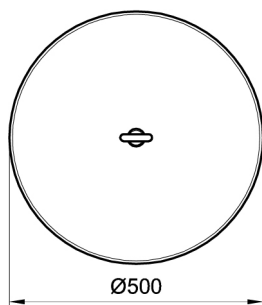
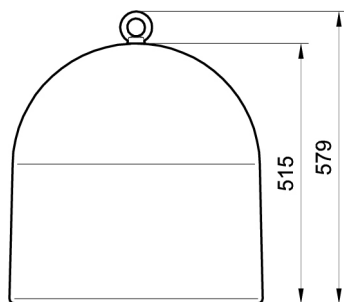


## “TITANO” Bollard

**Sheet code:** *DICL003*  
**Drawing code:** *AD01010201*  
**Revision:** *23/01/2019*

**Designer:**  
*Bellitalia Design Department*



**Product:** Monolithic bollard with circular section model “TITANO”, composed by a base and an eyebolt for its handling or for a go-through chain.

**Dimensions:** diameter: 500 mm;  
 height: 515 mm;  
 total weight: 200 kg.

**Material:** The base can be manufactured using reconstituted natural marble stones, white granite or grey concrete conglomerate, while the eyebolt is in steel.

**Reinforcing:** The base is reinforced and fitted with bushes that permit the eyebolt’s fastening.

**Finishing:** All visible concrete surfaces are completely sandblasted and then covered with a transparent anti-decay coating, or, upon request, with anti-graffiti products. The eyebolt is treated by a hot dip galvanisation. All edges are rounded or made blunt.

**Handling:** Use appropriate equipment when handling.

**Installation:** Simply place on the flooring.