

"CRONO" Ashtray

Sheet code:

POCL001

Drawing code:

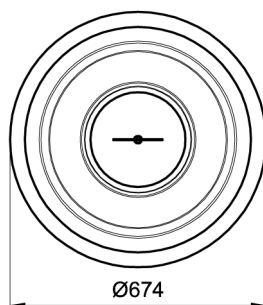
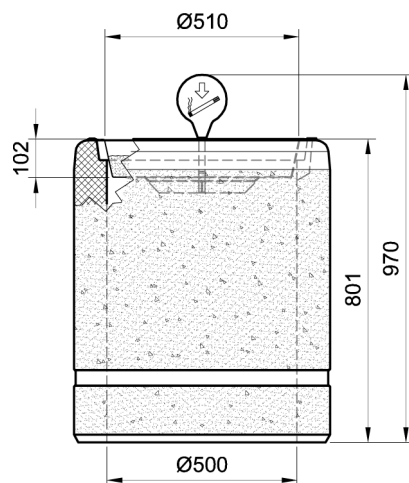
AC18050402

Revision:

02_01/10/2015

Designer:

Bellitalia Design Department



Product:

Ashtray model "CRONO", constituted by a concrete element, which supports and fastens a metal bin with sand.

Dimensions:

external diameter: 674 mm;
ashtray height: 801 mm;
height with plate: 970 mm;
total weight: 355 kg;
capacity: 19,2 litres.

Material:

The bin can be manufactured using reconstituted natural marble stones or white granite conglomerate, and is fitted with stainless steel bushes that permit the bin's fastening. Possibly equipped with a decorative 4 cm metal band in aluminium, customised with a chosen logo. The bin is constituted by a removable bucket made by a stainless steel sheet, with a thickness 15/10, which, thanks to the matching with a non-woven fabric, allows the water drain without sand dispersion. All fastening bolts and bushes are in stainless steel and secured with threadlockers.

Reinforcing:

The litter bin is reinforced and fitted with bushes that permit all elements' fastening.

Finishing:

The ashtray's surface can be polished, to give the product a shiny effect, or bush-hammered, for a rough appearance. The surface is then covered with a transparent anti-decay coating, or, upon request, with nanotechnology and/or anti-graffiti products. All stainless steel elements undergo a satin finish treatment. All edges are rounded or made blunt.

Handling:

Use appropriate equipment when handling.

Installation:

Simply place on the flooring.