

“OLIMPO S” Bench

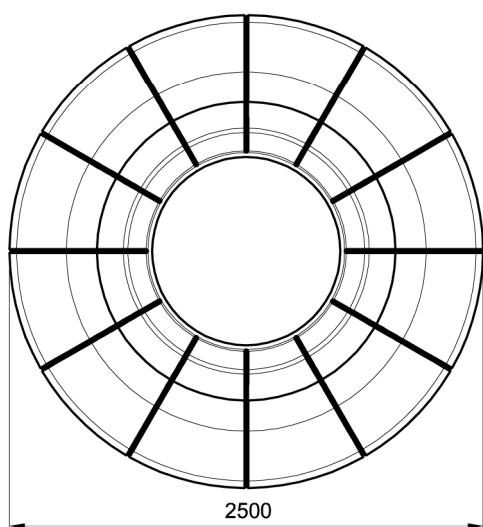
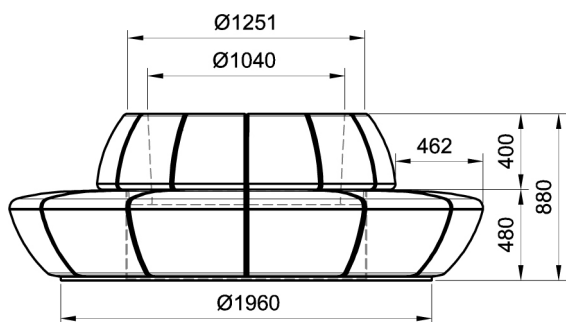
Sheet code: **PAAR081**

Drawing code:

Revision: 10/01/2019

Designer:

Bellitalia Design Department



Product: Bench model “OLIMPO S”, composed by a monolithic circular seat with a backrest and a central hole, fitted to lodge both flowers and plants. The hole can lodge a planter, fitted with a **water reserve system** to guarantee the soil the proper humidity level, avoiding the dispersion of internal water.

Dimensions: external diameter: 2500 mm;
internal diameter: 1040 mm;
height: 880 mm;
total weight: 3550 kg.
capacity: 598,2 litres.

Material: The bench can be manufactured using reconstituted natural marble stones or white granite conglomerate.

Reinforcing: The reinforcing is made by a ring and bushes that permit handling.

Finishing: The bench's seating surface can be polished, to give the product a shiny effect, or bush-hammered, for a rough appearance. Surfaces are then covered with a transparent anti-decay coating, or, upon request, with anti-graffiti products. All edges are rounded or made blunt.

Handling: Use appropriate equipment when handling.

Installation: Simply place the bench on the flooring and remove the eyebolts used for lifting.