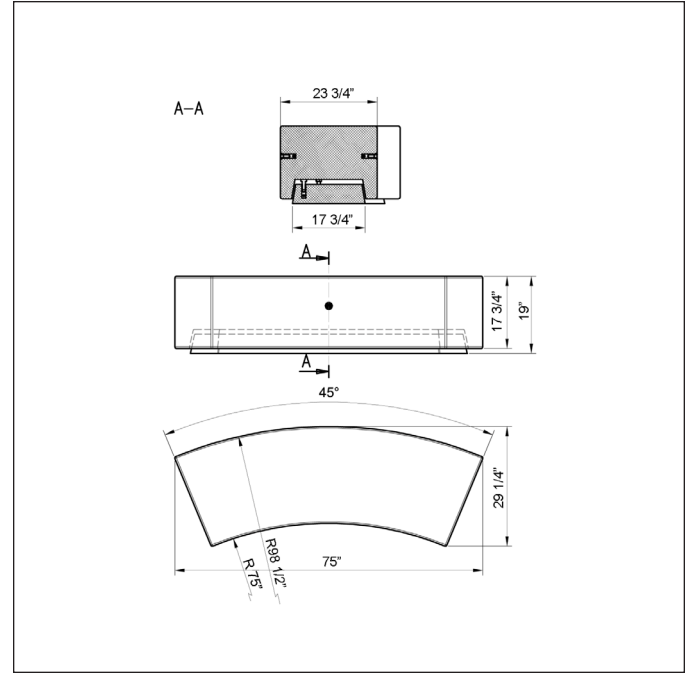


# DEMETRA CURVED BENCH BY BELLITALIA

OE-BI-3088



The Demetra Curved is a curved modular bench. It is composed of a monolithic seat with built-in single wood slat seat, and by a base equipped with a levelling system.

## COLLECTION

Demetra

## MATERIALS

The Demetra Bench is manufactured using reconstituted natural marble stones (white Carrara, black ebony, botticino, porphyry, red Verona, venezolano, yellow more, green alps) or white granite conglomerate.

The insert seat is composed by 10 wooden slats offered with four different types of essence: movingui, pine, pine thermowood®, or okumè. All slats have a section of 55x35 mm (2" x 1 1/2"), except for the head ones that have a section of 53x53 mm (2" x 2"). Slats are fastened to the seat through screws and three stainless steel plates, arranged to ease the water discharge under the slats. The self-leveling base is reinforced and fitted with bushings that permit its lifting and leveling. The seat is also reinforced and embedded with bushes that permit its lifting, and that are covered with a Bellitalia plate after the placement. All surfaces are sandblasted, except for the upper surface that can be polished, to give the product a shiny effect, or bush-

## INSTALLATION

Level the base screws and simply place the bench on the floor.

## MAINTENANCE

The stone conglomerate is an extremely durable material that requires minimal maintenance. This purely consists of the treatment of the surface with very fine abrasive paper and in the re-application of one or more coats of the acrylic protective varnish. In case of accidental chipping of the artifacts made of conglomerate, BELLITALIA® provides a repair kit consisting of a bi-component material the same as the original. To apply simply clean the chipped area, removing any dust or deposits, and then apply the past component. Once the drying is completed, it is sufficient to apply a coat of transparent acrylic anti-decay varnish.

MALIK  
outdoor

malikoutdoor.com  
888.550.4398