

“TIMELESS 1220” Planter

Sheet code: **FICL005**

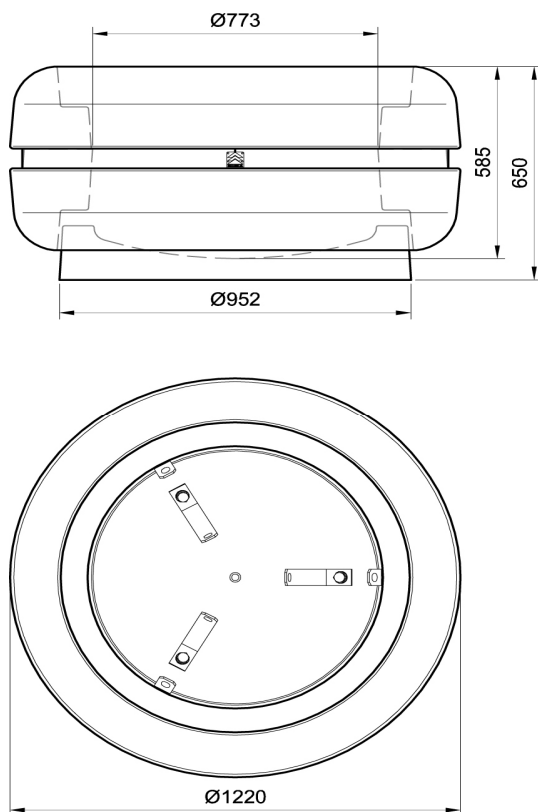
Drawing code: **AF16010204**

Revision: **23/01/2019**

Designer:

Bellitalia Design

Department



Product: Circular planter model “TIMELESS 1220”, composed by a base, two upper elements and a central band in between. The planter is equipped with a **levelling system** and a **water reserve system** to guarantee the soil the proper humidity level, avoiding the dispersion of internal water.

Dimensions diameter: 1220 mm;
height: 650 mm;
total weight: 910 kg;
capacity: 300 litres.

Material: The planter can be manufactured using reconstituted natural marble stones, white granite or grey concrete conglomerate. Copper or stainless steel central band.

Reinforcing: The planter’s two upper elements are reinforced and fitted with bushes that permit their fastening through a stirrup, used also for their lifting and handling. The base is also reinforced and endowed with bushes that permit its handling and levelling.

Finishing: The planter’s surfaces can be polished, to give the product a shiny effect, otherwise sandblasted or bush-hammered, for a rough appearance. Surfaces are then covered with a transparent anti-decay coating, or, upon request, with anti-graffiti products. The copper band is painted with a protective coating for a durable shiny appearance, while the stainless steel band undergoes a satin finish treatment. All edges are rounded or made blunt.

Handling: Use appropriate equipment when handling.

Installation: Simply place the base on the flooring, and level the plane surface on the levelling system’s lower screws. Then place the planter’s upper elements on the levelled base.